

PARTS LIST

MCA-PX(10)

CONTENTS

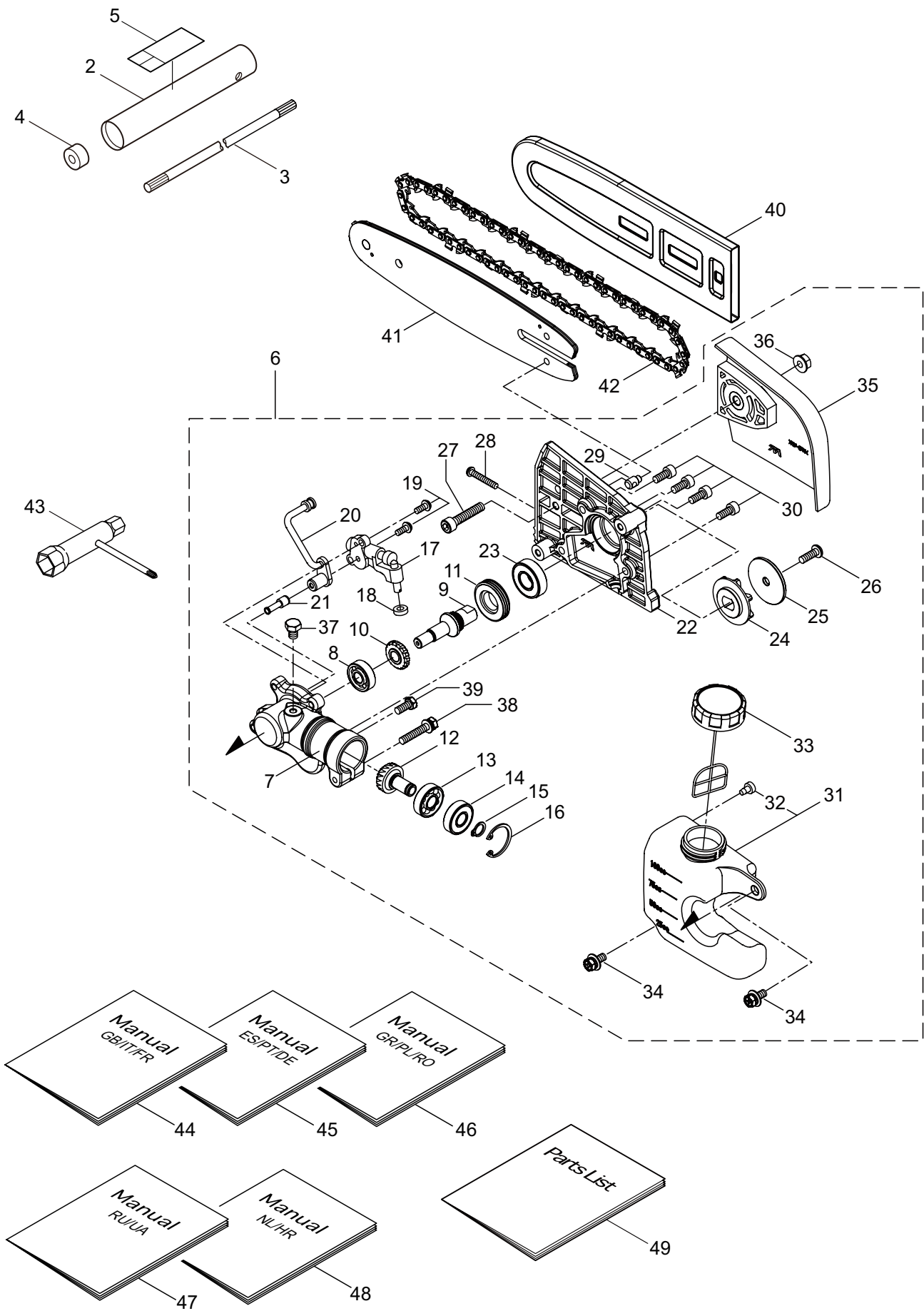
1. MCA-PX(10)	1 ~ 4
---------------------	-------

2015. 12.



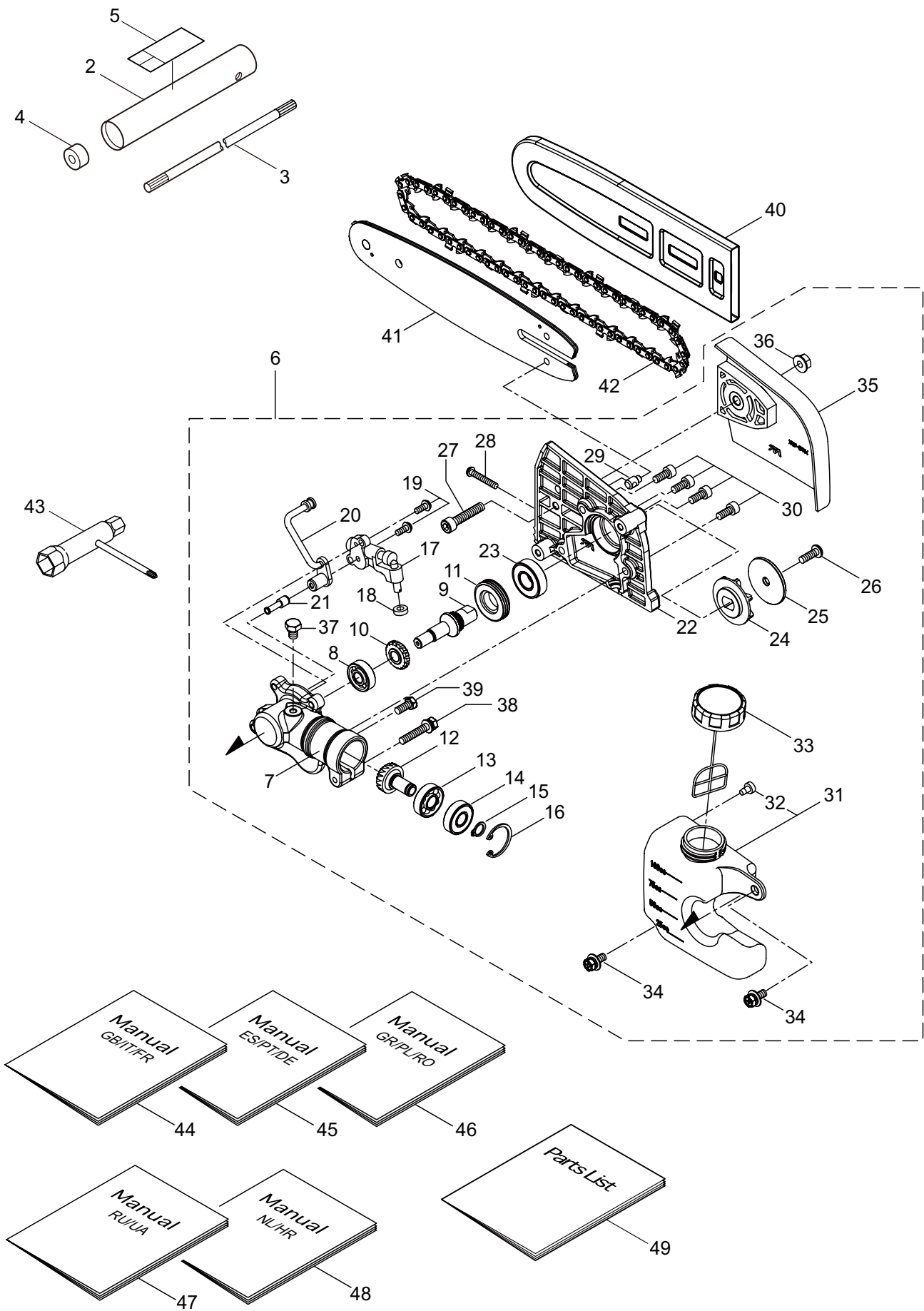
P/N 524068

1. MCA-PX(10)



Ref. No.	Part No.	Part Name	Q'ty	Remarks
1-1	364512	MCA-PX(10)	1	
1-2	237683	Driveshaft Tube	1	
1-3	237685	Driveshaft	1	
1-4	216079	Stopper	1	
1-5	231895	Label	1	
1-6	234082	Pruner Head Ass'y	1	Incl.7-39
1-7	231855	Gearcase A	1	
1-8	227990	Bearing	1	#608
1-9	231856	Gear Shaft	1	
1-10	231857	Gear	1	
1-11	231858	Worm Wheel	1	
1-12	231859	Pinion Shaft	1	
1-13	227992	Bearing	1	#609
1-14	227993	Bearing	1	#609Z
1-15	228477	Snap Ring	1	#9
1-16	140270	Snap Ring	1	#24
1-17	231860	Oil Pump	1	
1-18	231861	Seal	1	
1-19	231862	Screw	2	
1-20	231863	Pipe, Oil	1	
1-21	231864	Strainer	1	
1-22	234084	Gearcase B	1	
1-23	227991	Bearing	1	#6001DDU
1-24	231866	Sprocket	1	
1-25	231867	Washer	1	
1-26	231868	Bolt	1	M6x15
1-27	125588	Bolt	1	M6x30
1-28	234085	Screw	1	M4x30
1-29	231870	Adjuster	1	
1-30	231871	Bolt	4	M5x12
1-31	234086	Oil Tank Ass'y	1	Incl.27
1-32	231873	Breather	1	
1-33	231874	Tank Cap Ass'y	1	
1-34	092580	Bolt	2	M5x12
1-35	231875	Chain Cover Comp	1	
1-36	126756	Nut	1	M6
1-37	089819	Bolt	1	M6x8
1-38	261246	Cap Screw	1	M5x25
1-39	215993	Cap Screw	1	M5x10
1-40	234087	Chain Cover	1	
1-41	234088	Guide Bar	1	
1-42	289536	Chain	1	
1-43	219968	Box Spanner	1	10x19x(-)
1-44	237732	Instruction Manual	1	GB/IT/FR
1-45	237733	Instruction Manual	1	ES/PT/DE

1. MCA-PX(10)



Ref. No.	Part No.	Part Name	Q'ty	Remarks
1-46	237734	Instruction Manual	1	GR/PL/RO
1-47	237735	Instruction Manual	1	RU/UA
1-48	238192	Instruction Manual	1	NL/HR
1-49	524068	Parts List	1	MCA-PX(10)